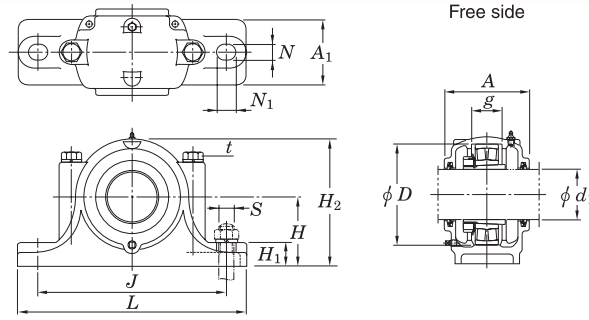


d 20~65mm

d ₁	Boundary dimensions											Bolt size	Bolt size	Housing No.	Mass kg (approx.)
	D	H	J	L	A	A ₁	H ₁	H ₂	N	N ₁	g				
20	52	40	130	165	67	46	22	75	15	20	25	M8	M12	SN505	1.20
	62	50	150	185	80	52	22	90	15	20	34	M8	M12	SN605	1.80
25	62	50	150	185	77	52	22	90	15	20	30	M8	M12	SN506	1.90
	72	50	150	185	82	52	22	95	15	20	37	M10	M12	SN606	2.10
30	72	50	150	185	82	52	22	95	15	20	33	M10	M12	SN507	2.30
	80	60	170	205	90	60	25	110	15	20	41	M10	M12	SN607	2.60
35	80	60	170	205	85	60	25	110	15	20	33	M10	M12	SN508	2.40
	90	60	170	205	95	60	25	115	15	20	43	M10	M12	SN608	2.80
40	85	60	170	205	85	60	25	112	15	20	31	M10	M12	SN509	2.70
	100	70	210	255	105	70	28	130	18	23	46	M12	M16	SN609	4.30
45	90	60	170	205	90	60	25	115	15	20	33	M10	M12	SN510	3.50
	110	70	210	255	115	70	30	135	18	23	50	M12	M16	SN610	4.70
50	100	70	210	255	95	70	28	130	18	23	33	M12	M16	SN511	3.70
	120	80	230	275	120	80	30	150	18	23	53	M12	M16	SN611	5.80
55	110	70	210	255	105	70	30	135	18	23	38	M12	M16	SN512	4.40
	130	80	230	280	125	80	30	155	18	23	56	M12	M16	SN612	6.40
60	120	80	230	275	110	80	30	150	18	23	43	M12	M16	SN513	5.40
	140	95	260	315	130	90	32	175	22	27	58	M16	M20	SN613	8.60
65	130	80	230	280	115	80	30	155	18	23	41	M12	M16	SN515	6.10
	160	100	290	345	140	100	35	195	22	27	65	M16	M20	SN615	11.80

Bearing No.		Adapter Sleeve		Locating Ring Number	Quantity
1205K	22205K	H205	HE205	SR52x5	2
2205K		H305	HE305	SR52x7	1
1305K	2305K	H305	HE305	SR62x8.5	2
2305K		H2305	HE2305	SR62x10	1
1206K	22206K	H206	HE206	SR62x7	2
2206K		H306	HE306	SR62x10	1
1306K	2306K	H306	HE306	SR72x9	2
2306K		H2306	HE2306	SR72x10	1
1207K	22207K	H207	HE207	SR72x8	2
2207K		H307	HE307	SR72x10	1
1307K	2307K	H307	HE307	SR80x10	2
2307K		H2307	HE2307	SR80x10	1
1208K	22208K	H208	HE208	SR80x7.5	2
2208K		H308	HE308	SR80x10	1
1308K	21308K	H308	HE308	SR90x10	2
2308K	22308K	H2308	HE2308	SR90x10	1
1209K	22209K	H209	HE209	SR85x6	2
2209K		H309	HE309	SR85x8	1
1309K	21309K	H309	HE309	SR100x10.5	2
2309K	22309K	H2309	HE2309	SR100x10	1
1210K	22210K	H210	HE210	SR90x6.5	2
2210K		H310	HE310	SR90x10	1
1310K	21310K	H310	HE310	SR110x11.5	2
2310K	22310K	H2310	HE2310	SR110x10	1
1211K	22211K	H211	HE211	SR100x6	2
2211K		H311	HE311	SR100x8	1
1311K	21311K	H311	HE311	SR120x12	2
2311K	22311K	H2311	HE2311	SR120x10	1
1212K	22212K	H212	HE212	SR110x8	2
2212K		H312	HE312	SR110x10	1
1312K	21312K	H312	HE312	SR130x12.5	2
2312K	22312K	H2312	HE2312	SR130x10	1
1213K	22213K	H213	HE213	SR120x10	2
2213K		H313	HE313	SR120x12	1
1313K	21313K	H313	HE313	SR140x12.5	2
2313K	22313K	H2313	HE2313	SR140x10	1
1215K	22215K	H215	HE215	SR130x8	2
2215K		H315	HE315	SR130x10	1
1315K	21315K	H315	HE315	SR160x14	2
2315K	22315K	H2315	HE2315	SR160x10	1



d 70~135mm

	Boundary dimensions											Bolt size	Bolt size	Housing No.	Mass kg (approx.)
	mm														
d_1	D	H	J	L	A	A_1	H_1	H_2	N	N_1	g	t	S		
70	140	95	260	315	120	90	32	175	22	27	43	M16	M20	SN516	8.20
	170	112	290	345	145	100	35	212	22	27	68	M16	M20	SN616	13.60
75	150	95	260	320	125	90	32	185	22	27	46	M16	M20	SN517	9.30
	180	112	320	380	155	110	40	223	26	32	70	M20	M24	SN617	16.80
80	160	100	290	345	145	100	35	195	22	27	62.4	M16	M20	SN518	12.00
	190	112	320	380	160	110	40	230	26	32	74	M20	M24	SN618	21.00
85	170	112	290	345	140	100	35	210	22	27	53	M16	M20	SN519	13.00
	200	125	350	410	170	120	45	250	26	32	77	M20	M24	SN619	23.00
90	180	112	320	380	160	110	40	223	26	32	70.3	M20	M24	SN520	17.00
	215	140	350	410	175	120	45	270	26	32	83	M20	M24	SN620	31.00
100	200	125	350	410	175	120	45	245	26	32	80	M20	M24	SN522	20.00
	240	150	390	450	190	130	50	300	28	36	90	M24	M24	SN622	38.00
110	215	140	350	410	185	120	45	270	26	32	86	M20	M24	SN524	23.00
	260	160	450	530	200	160	60	320	33	42	96	M24	M30	SN624	48.00
115	230	150	380	445	190	130	50	290	28	36	90	M24	M24	SN526	33.00
	280	170	470	550	210	160	60	340	33	42	103	M24	M30	SN626	78.00
125	250	150	420	500	205	150	50	305	33	42	98	M24	M30	SN528	40.00
	300	180	520	610	235	170	65	365	35	45	112	M30	M30	SN628	97.00
135	270	160	450	530	220	160	60	325	33	42	106	M24	M30	SN530	45.00
	320	190	560	650	245	180	65	385	35	45	118	M30	M30	SN630	110.00

Bearing No.		Adapter Sleeve		Locating Ring Number	Quantity
1216K	22216K	H216	HE216	SR140x8.5	2
2216K		H316	HE316	SR140x10	1
1316K	21316K	H316	HE316	SR170x14.5	2
2316K	22316K	H2316	HE2316	SR170x10	1
1217K	22217K	H217	HE217	SR150x9	2
2217K		H317	HE317	SR150x10	1
1317K	21317K	H317	HE317	SR180x14.5	2
2317K	22317K	H2317	HE2317	SR180x10	1
1218K	22218K	H218	HE218	SR160x16.2	2
2218K	23218K	H318	HE318	SR160x11.2	2
		H2318	HE2318	SR160x10	1
1318K	22318K	H318	HE318	SR190x15.5	2
2318K		H2318	HE2318	SR190x10	1
1219K	22219K	H219	HE219	SR170x10.5	2
2219K		H319	HE319	SR170x10	1
1319K	22319K	H319	HE319	SR200x16	2
2319K		H2319	HE2319	SR200x10	1
2220K	22220K	H320	HE320	SR180x12.1	2
23220K		H2320	HE2320	SR180x10	1
1320K	22320K	H320	HE320	SR215x18	2
2320K		H2320	HE2320	SR215x10	1
2222K	22222K	H322	HE322	SR200x13.5	2
	23222K	H2322	HE2322	SR200x10	1
1322K	22322K	H322	HE322	SR240x20	2
2322K		H2322	HE2322	SR240x10	1
	22224K	H3124	HE3124	SR215x14	2
	23224K	H2324	HE2324	SR215x10	1
	22324K	H2324	HE2324	SR260x10	1
	22226K	H3126	HE3126	SR230x13	2
	23226K	H2326	HE2326	SR230x10	1
	22326K	H2326	HE2326	SR280x10	1
	22228K	H3128	HE3128	SR250x15	2
	23228K	H2328	HE2328	SR250x10	1
	22328K	H2328	HE2328	SR300x10	1
	22230K	H3130	HE3130	SR270x16.5	2
	23230K	H2330	HE2330	SR270x10	1
	22330K	H2330	HE2330	SR320x10	1